

AUTOMATIC WALL SHUTTER MODEL 304SS

All stainless steel rear flanged vertical mount gravity exhaust shutter. Shutter is designed to allow horizontal airflow in one direction and to prevent reverse airflow and provide protection from environmental elements when airflow stops. Blades open with airflow and close by gravity when airflow stops. Ideal for direct-drive or belt-driven exhaust fans. Recommended for vertical mount exhaust applications only. Application uses includes commercial, industrial, and agricultural. (Do not use with vane axial or tube axial fans).

Features:

Frame

- .039 min. gauge 304 stainless steel.
- Welded frame provide rigidity and durability.
- Integrated weather stripping incorporated into frame for additional strength and weather protection.
- Prepunch oblong mounting holes.

Blades

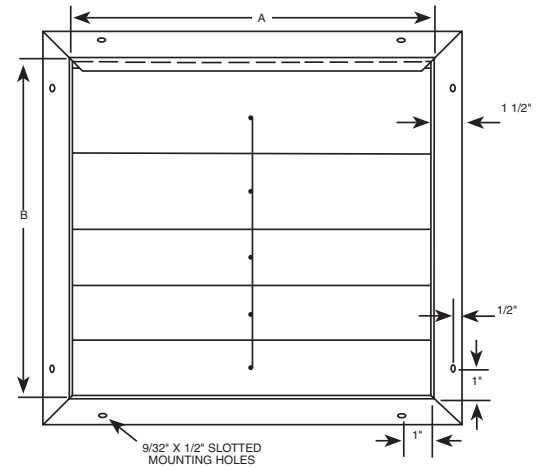
- .016 gauge 304 stainless steel.
- Stainless steel reinforcement rod fasten blades to frame for added strength.
- Center-mounted stainless steel tie-rod connects blades for uniform opening and closing on face of the unit.
- 304 stainless steel rods, rivets and bushings.
- Opens freely to allow full 90 degree opening and closing.

Size limitations – Single/Double Panel Only

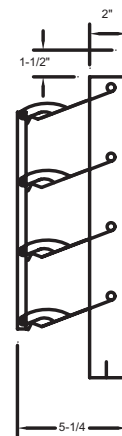
- Minimum panel size 10" W x 10" H (See A & B Dimensions)
- Maximum panel size 36" W x 36" H (See A & B Dimensions)

Ratings

- Maximum recommended velocity is 2,500 FPM
- Temperature - -40 F to 180 F



FRONT VIEW



SIDE VIEW

Note: Above dimensions + or - normal tolerance of .0625"

Standard Sizes

| Part No. | Inside Frame Dimension (width X height) | Overall Frame Dimension (width X height) | Recommend Hole Opening (width X height) | Face Area (Sq. Ft.) | Free Area (Sq. Ft.) | Est. Shipping Weight |
|-----------|---|--|---|---------------------|---------------------|----------------------|
| 304SS 10" | 10" x 10" | 13" x 13" | 10 1/2" x 10 1/2" | 0.69 | 0.49 | 3.50 |
| 304SS 12" | 12" x 12" | 15" x 15" | 12 1/2" x 12 1/2" | 1.00 | 0.82 | 4.50 |
| 304SS 16" | 16" x 16" | 19" x 19" | 16 1/2" x 16 1/2" | 1.78 | 1.51 | 6.00 |
| 304SS 18" | 18" x 18" | 21" x 21" | 18 1/2" x 18 1/2" | 2.25 | 1.91 | 7.00 |
| 304SS 20" | 20" x 20" | 23" x 23" | 20 1/2" x 20 1/2" | 2.78 | 2.41 | 8.50 |
| 304SS 24" | 24" x 24" | 27" x 27" | 24 1/2" x 24 1/2" | 4.00 | 3.25 | 11.50 |
| 304SS 30" | 30" x 30" | 33" x 33" | 30 1/2" x 30 1/2" | 6.25 | 5.44 | 16.00 |
| 304SS 36" | 36" x 36" | 39" x 39" | 36 1/2" x 36 1/2" | 9.00 | 7.69 | 21.00 |

Note: Dimension are approximate due to normal tolerances in the manufacturing process.

Estimated Free Area calculation is based upon the following formula: MD(A+B+ (N x C))/144.

Free Area x FPM = CFM; actual performance may vary.

LIMITED WARRANTY

All products manufactured are warranted by Air Conditioning Products Company (ACP) to be free from original defects in workmanship for a period of one year from date of shipment, under conditions of normal use and service. ACP will replace or repair any defective parts upon return to our plant, freight prepaid. This limited warranty will, in no way, include the payment of labor charges for field replacement of defective parts, installation, repairs of adjustments, or any other work done. Back charges will not be accepted for any reason unless ACP has given prior written permission, nor will ACP be responsible for consequential damages of any character, no limited warranty expressed or implied will supersede the foregoing.

Manufactured for Air Conditioning Products Co.
30350 Ecorse Road • Romulus, MI 48174
acpshutters.com