

# Installation Instructions for Dampers for Roof Exhausters - Horizontal Mounted

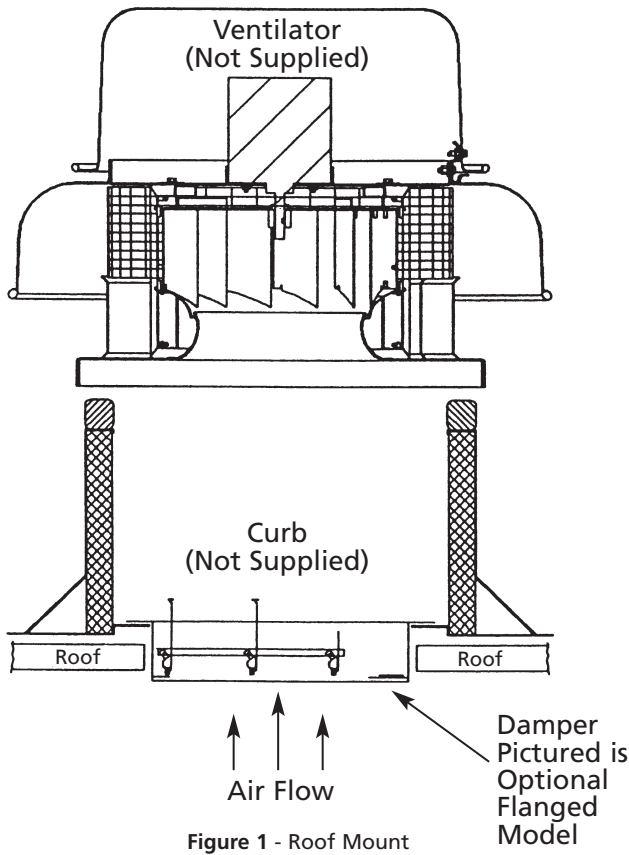


Figure 1 - Roof Mount

**Model 411** Automatic  
**Model 411** with Motor Kit for motor operated  
 (Not pictured)

**Model 611** Automatic  
**Model 611** with Motor Kit for motor operated  
 (Not pictured)

## EXHAUST ONLY

### DO NOT FORCE DAMPER IN OPENING

We recommend damper not be mounted closer to the fan than  $\frac{1}{3}$  the diameter of the fan blade.

1. Do not put your hand or arm through the damper blades when installing damper in opening.
2. Blades must operate freely when installed.
3. Mount damper in level position, avoid twisting damper frame.
4. In case of uneven mounting surface or binding of blades, leave mounting screws slightly loose.

**IMPORTANT:** When wiring motor be sure line voltage is same as motor voltage.

## Model 411 Backdraft Damper

### HORIZONTAL MOUNTING

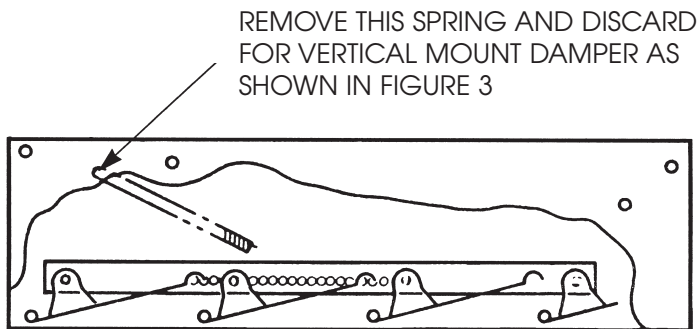


Figure 2

### VERTICAL MOUNTING

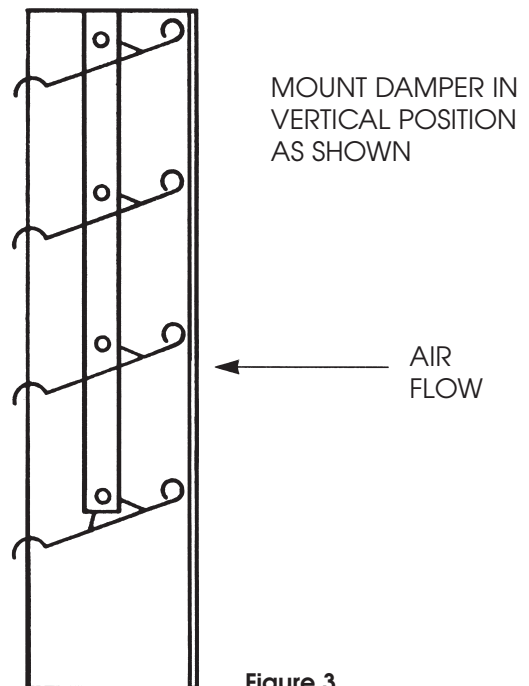


Figure 3