

AUTOMATIC WALL SHUTTER - SINGLE PANEL MODEL 502

Rear flanged vertical mount gravity exhaust shutter. Shutter is designed to allow horizontal airflow in one direction and to prevent reverse airflow and provide protection from environmental elements when airflow stops. Blades open with airflow and close by gravity when airflow stops. Ideal for direct-drive or belt-driven exhaust fans. Recommended for vertical mount exhaust applications only. Application uses includes commercial, industrial, agricultural and residential. *(Do not use with vane axial or tube axial fans).*

Features:

Frame

- 20 gauge galvanized steel.
- Tog-L-Loc and tabbed corners provide rigidity and durability.
- Integrated weather stripping incorporated into frame for additional strength and weather protection.
- Prepunch oblong mounting holes.

Blades

- 26 gauge 3105 mill finish aluminum.
- Felt seal on leading edge of blade for tight closure and quiet operation.
- Center-mounted galvanized steel tie-rod connects blades for uniform opening and closing.
- 304 stainless steel pivot pins and rivets
- Nylon bushings.

Size limitations – Single Panel Only

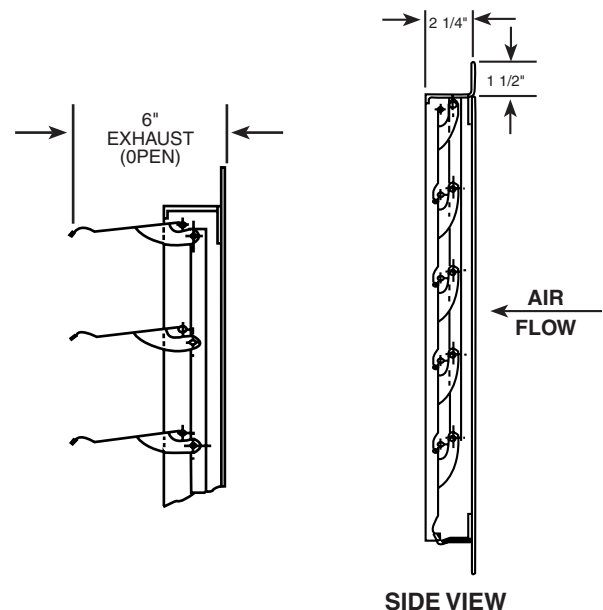
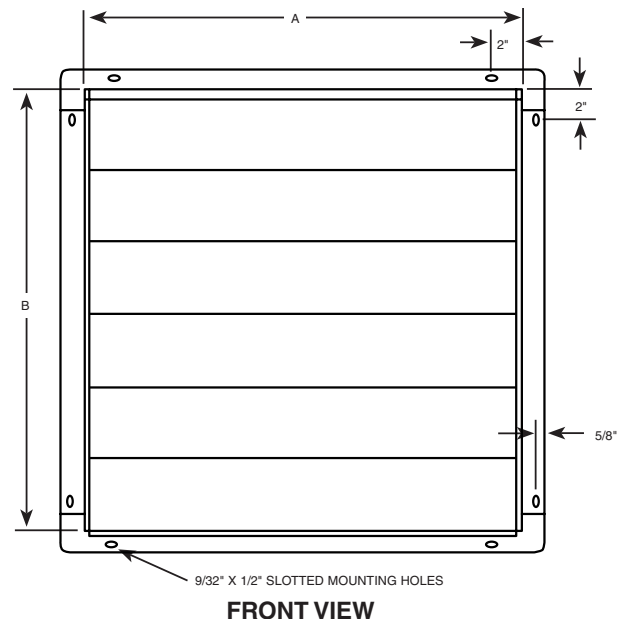
- Minimum panel size 8" W x 8" H (see "A" & "B" dimension)
- Maximum panel size 24" W x 24" H (see "A" & "B" dimension)

Ratings

- Maximum recommended velocity is 2,000 FPM
- Temperature - -40 F to 180 F

Options and Accessories (at additional cost)

- Custom sizes available in whole inch increments for width and height.
- Stainless steel bushings.
- Gusset plate attached to back of shutter.



LIMITED WARRANTY

All products manufactured are warranted by Air Conditioning Products Company (ACP) to be free from original defects in workmanship for a period of one year from date of shipment, under conditions of normal use and service. ACP will replace or repair any defective parts upon return to our plant, freight prepaid. This limited warranty will, in no way, include the payment of labor charges for field replacement of defective parts, installation, repairs of adjustments, or any other work done. Back charges will not be accepted for any reason unless ACP has given prior written permission, nor will ACP be responsible for consequential damages of any character, no limited warranty expressed or implied will supersede the foregoing.

Manufactured for Air Conditioning Products Co.
30350 Ecorse Road • Romulus, MI 48174
acpshutters.com

Note: Above dimensions + or - normal tolerance of .0625"