

Refer to Backdraft Damper and Ceiling Shutter motor installation instructions and part listing for installing motor pack to damper/shutter.

Adjustment to be made after motor is installed and damper is opening and closing freely.

- 1 Remove the 3 cover screws and remove cover (item 4).
- 2 Open damper louvers to the full open position (do not pull on louvers, use motor arm).
- 3 Loosen cam and rotate until cam screw is positioned over the top of micro switch arm (item 5).
- 4 Tighten set screw at this point.
- 5 Reinstall cover.
- 6 Make electrical connection as needed, end switch can be used NO. or N.C. (wired NO.).
- 7 Make certain that power source conforms to motor & end switch requirements.

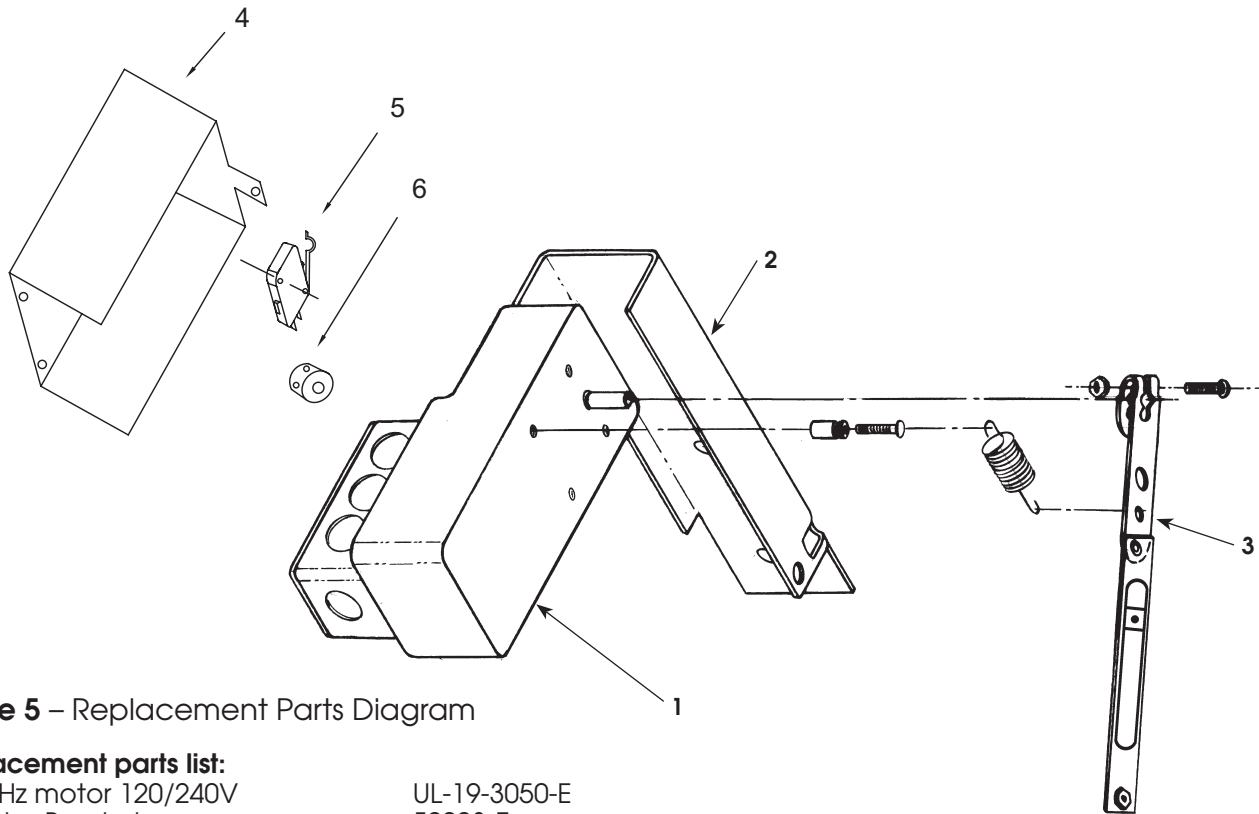


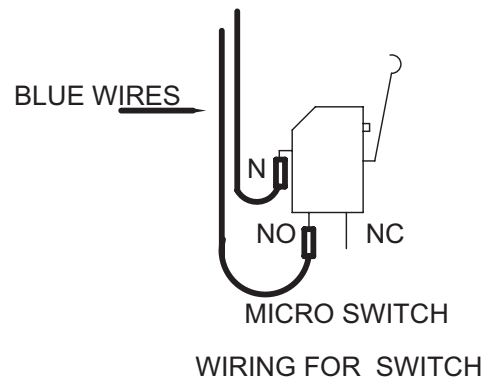
Figure 5 – Replacement Parts Diagram

Replacement parts list:

- | | |
|----------------------------------|--------------|
| 1 60 Hz motor 120/240V | UL-19-3050-E |
| 2 Motor Bracket | 50003-E |
| 3 Adjustable linkage assembly | MT-411/611 |
| 4 Cover assembly with screws | 50086 |
| 5 End switch with leads & screws | V3L-5-D8 |
| 6 Cam with screws | UL-14 |

Switch specification:

- | | |
|--------------------------|-------------|
| 15.4A 1/2 HP 125,250 VAC | |
| 1/2A 125 VDC, 1/4A250VDC | 5A 125VAC L |



LIMITED WARRANTY

All products manufactured are warranted by Air Conditioning Products Company (ACP) to be free from original defects in workmanship for a period of one year from date of shipment, under conditions of normal use and service. ACP will replace or repair any defective parts upon return to our plant, freight prepaid. This limited warranty will, in no way, include the payment of labor charges for field replacement of defective parts, installation, repairs of adjustments, or any other work done. Back charges will not be accepted for any reason unless ACP has given prior written permission, nor will ACP be responsible for consequential damages of any character, no limited warranty expressed or implied will supersede the foregoing.

Manufactured for Air Conditioning Products Co.
30350 Ecorse Raod • Romulus, MI 48174