



AIR CONDITIONING PRODUCTS CO.
 QUALITY PRODUCTS FOR AIR MOVEMENT EQUIPMENT

INSTALLATION INSTRUCTIONS

ALUMINUM MOTORIZED HAT CHANNEL DAMPER

MODEL ACD

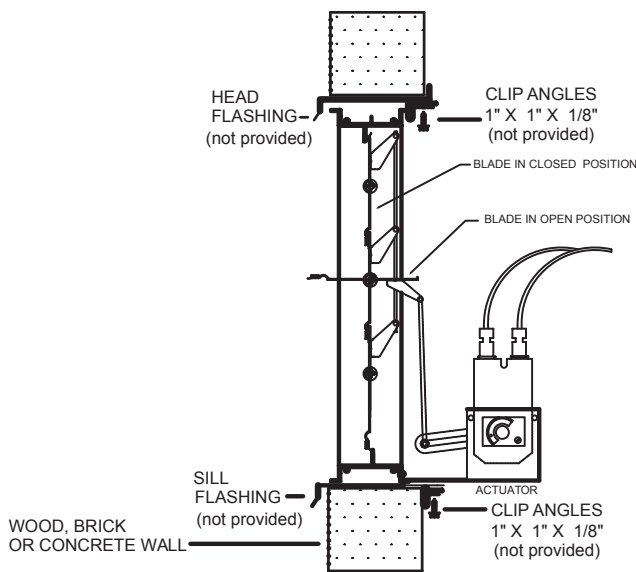
Please read and save these instructions. Read carefully before attempting to assemble, install, operate or maintain the product described. Protect yourself and others by observing all safety information. Failure to comply with instructions could result in personal injury and/or property damage! Retain instructions for future reference.

INSTALLATION

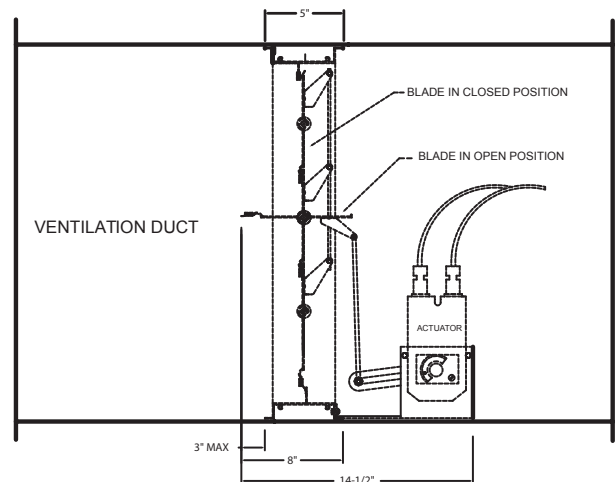
ENSURE STRUCTURAL INTEGRITY OF WALL BEFORE BREACHING.

1. Cut opening required for correct damper size.
2. Do not force the damper into opening.
3. Damper must be installed square and free from racking. Damper must operate freely.
4. Follow the **General Safety information** (page 18) and Wiring Diagram. Wire damper motor as illustrated.

**Note: Caulking, mounting hardware or flashing materials are not supplied with the damper.*

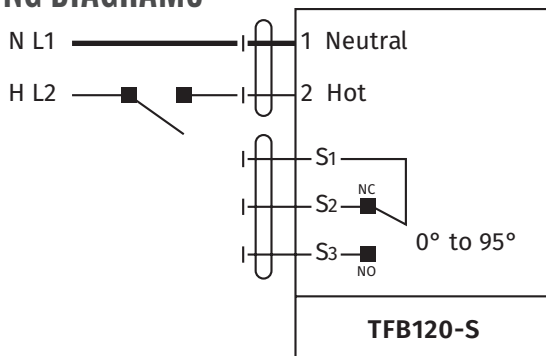


WALL INSTALLATION

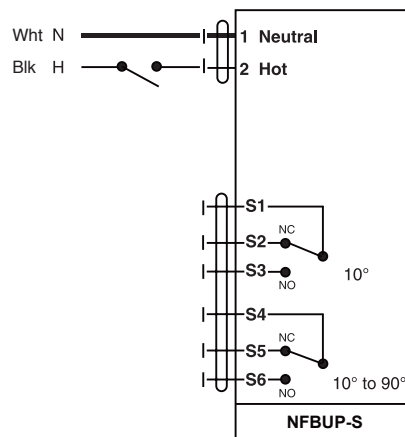


DUCT INSTALLATION

WIRING DIAGRAMS



12" to 48" - 100 to 240V, 50/60 Hz



Over 48" - 24 to 240V, 50/60 Hz