

*Please read and save these instructions. Read carefully before attempting to assemble, install, operate or maintain the product described. Protect yourself and others by observing all safety information. Failure to comply with instructions could result in personal injury and/or property damage! Retain instructions for future reference.*

## GENERAL SAFETY INFORMATION

**WARNING: USE CAUTION WHEN HANDLING SHEET METAL PRODUCTS. PROTECTION SHOULD BE USED TO AVOID CONTACT WITH SHARP EDGES OR INJURY MAY OCCUR.**

## UNPACKING

When unpacking, carefully remove louver from carton and inspect for any damage that may have occurred during transit.

## MAINTENANCE

Periodically clean the screen to prevent buildup of dust and accumulated dirt which could reduce the air flow.

## INSTALLATION

**ENSURE STRUCTURAL INTEGRITY OF WALL BEFORE BREACHING.**

1. Clean the opening prior to installation.
2. Wall opening should be 1/4" to 1/2" larger than the OD of the louver.
  - Note: For multiple wide installations as shown in Figure 1, each panel will be undersized by 1/2" plus the frame overlap of 1" for a total of 2".
3. Install head and sill flashing (not provided) if needed in wall opening as per Figure 3.
4. Insert unit into opening and fasten as per Figure 3.
5. To install multiple wide units:
  - Remove birdscreen.
  - Slide "c" channel flange behind flat flange as shown in Figure 1.
  - Replace birdscreen and re-fasten through the birdscreen and the flanges of both units as per Figure 1.
  - Use clip angles (not provided) to secure frame(s) to the wall as per Figure 3.
6. To install multiple high units:
  - Remove birdscreen.
  - Apply bead of caulk between units.
  - Stack units as per Figure 2 and secure by driving corrosion resistant sheet metal screws through the top and bottom at intervals no more than 18" with a minimum of two fasteners per side.
  - Use clip angles (not provided) to secure frame(s) to the wall as per Figure 3.
  - Re-install birdscreen.



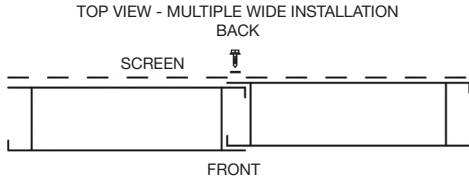
**AIR CONDITIONING PRODUCTS CO.**  
 QUALITY PRODUCTS FOR AIR MOVEMENT EQUIPMENT

# INSTALLATION INSTRUCTIONS

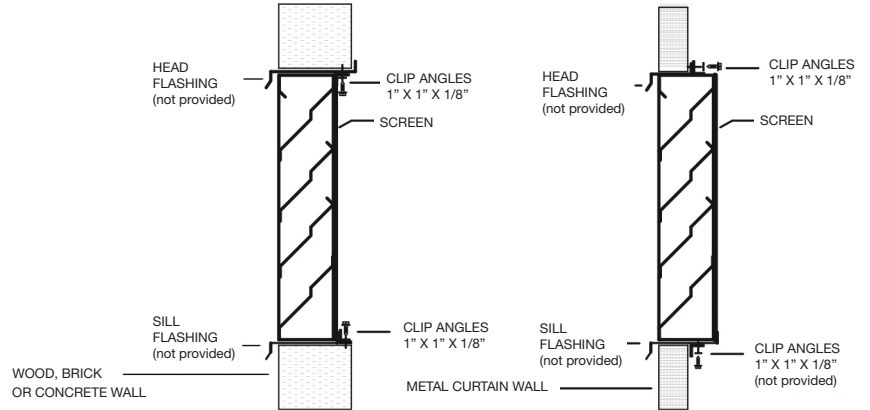
## STATIONARY LOUVERS

### MODEL AFL/GFL

**FIGURE 1**

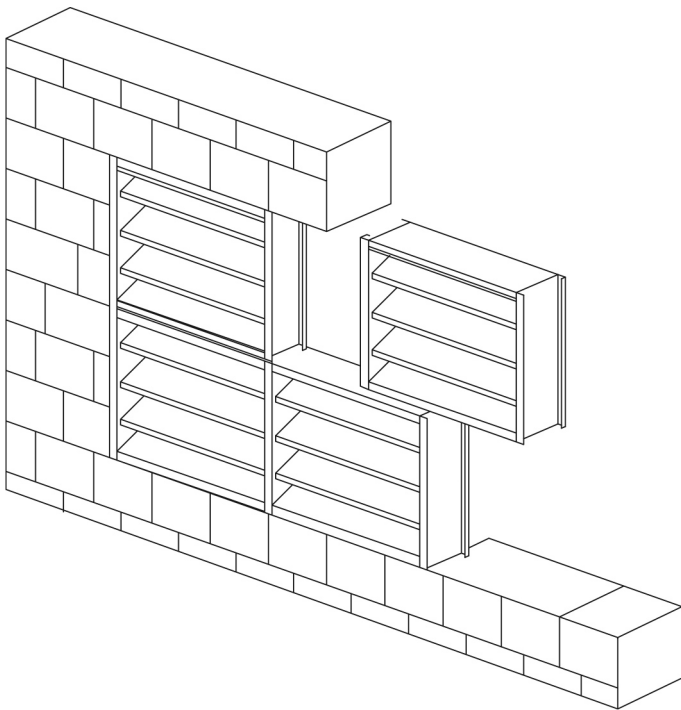


**FIGURE 3**



NOTE: CAULKING, CLIP ANGLES, MOUNTING HARDWARE OR FLASHING MATERIALS ARE NOT SUPPLIED WITH LOUVER

**FIGURE 2**



For detailed information on our Limited Warranty Policy, please visit [www.acpshutters.com](http://www.acpshutters.com), or call (734) 326-0050.