



**AIR CONDITIONING PRODUCTS CO.**  
 QUALITY PRODUCTS FOR AIR MOVEMENT EQUIPMENT

# OPERATING INSTRUCTIONS

## MOTORIZED DAMPERS

### MODEL AMD/GMD 12" - 72"

*Please read and save these instructions. Read carefully before attempting to assemble, install, operate or maintain the product described. Protect yourself and others by observing all safety information. Failure to comply with instructions could result in personal injury and/or property damage! Retain instructions for future reference.*

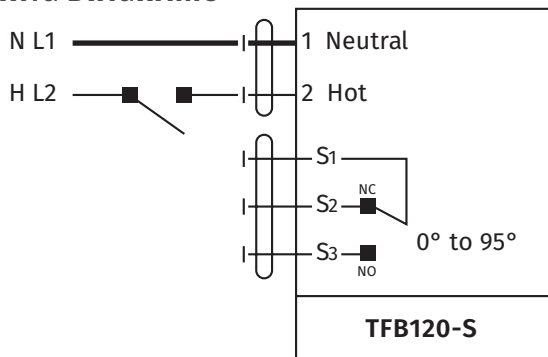
## INSTALLATION

ENSURE STRUCTURAL INTEGRITY OF WALL BEFORE BREACHING.

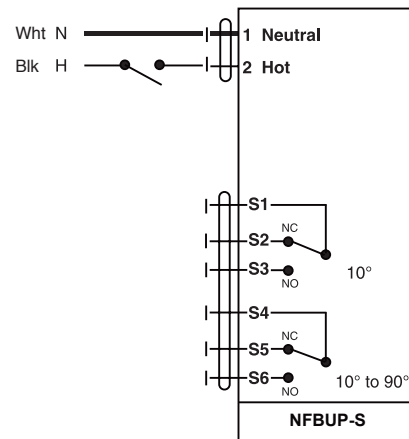
1. Cut opening required for correct damper size.
2. Do not force the damper into the opening.
3. Damper must be installed square and free from racking. Damper must operate freely.
4. Follow the **General Safety information** (page 18) and Wiring Diagram. Wire damper motor as illustrated.

*\*Note: Caulking, mounting hardware or flashing materials are not supplied with the damper.*

## WIRING DIAGRAMS

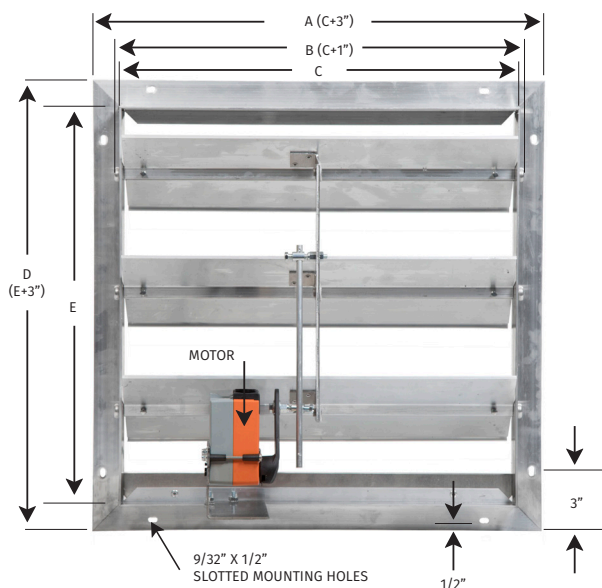


12" to 49" - 100 to 240V, 50/60 Hz



50" to 72" - 24 to 240V, 50/60 Hz

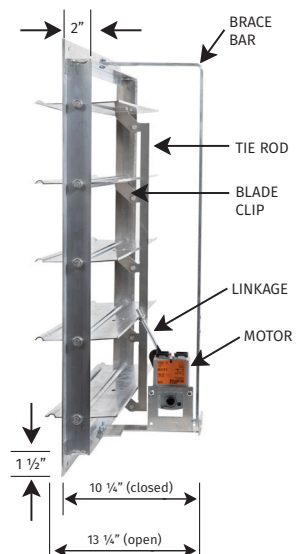
## DIMENSIONS



REAR VIEW



SIDE VIEW  
(12" to 24")



SIDE VIEW  
(25" to 72")

\*NOTE: Above dimensions + or - normal tolerance of .0625"

# MOTORIZED DAMPERS

## MOTOR SPECS:

DAMPER SIZES	MOTOR MANUFACTURER	MODEL NUMBER	POWER SUPPLY REQUIRED	MOTOR TYPE	TEMPERATURE RANGE
12" X 12" to 49" x 49"	Belimo	TFB120-S DAY	100-240 VAC 50/60 HZ	2 Position Spring Return	-22° to 122° F
50" x 50" to 72" x 72"	Belimo	NFBUP-S DAY	24-240 VAC 50/60 Hz	2 Position Spring Return	-22° to 122° F

## STANDARD SIZES:

PART NO:	OVERALL (A&D) FRAME DIMENSION (Width x Height)	INSIDE (C&E) FRAME DIMENSION (Width x Height)	REQUIRED (B) HOLE OPENING (Width x Height)	FACE AREA (SQ. FT.)	EST. FREE AREA (SQ. FT.)
AMD / GMD 12"	15" x 15"	12" x 12"	13" x 13"	1.00	0.84
AMD / GMD 16"	19" x 19"	16" x 16"	17" x 17"	1.78	1.67
AMD / GMD 20"	23" x 23"	20" x 20"	21" x 21"	2.78	2.05
AMD / GMD 24"	27" x 27"	24" x 24"	25" x 25"	4.00	3.59
AMD / GMD 30"	33" x 33"	30" x 30"	31" x 31"	6.25	5.68
AMD / GMD 36"	39" x 39"	36" x 36"	37" x 37"	9.00	8.25
AMD / GMD 42"	45" x 45"	42" x 42"	43" x 43"	12.25	11.31
AMD / GMD 48"	51" x 51"	48" x 48"	49" x 49"	16.00	14.84
AMD / GMD 54"	57" x 57"	54" x 54"	55" x 55"	20.25	18.83
AMD / GMD 60"	63" x 63"	60" x 60"	61" x 61"	25.00	23.31

Note: Dimensions are approximate due to normal tolerances in the manufacturing process.

Estimated Free Area calculation is based upon the following formula:  $MD[A+B+(N \times C)]/144$ .

Free Area x FPM = CFM; actual performance may vary.

For detailed information on our Limited Warranty Policy, please visit [www.acpshutters.com](http://www.acpshutters.com), or call (734) 326-0050.