

AUTOMATIC SUPPLY (INTAKE) WALL-MOUNT SHUTTERS MODEL CWV

Rear flanged vertical mount gravity supply (intake) shutter uses counter balanced blades to minimize wear load on electric fan motor. Shutter is designed to allow horizontal airflow in one direction and to prevent reverse airflow and provide protection from environmental elements when airflow stops. Counter balanced blades open with airflow and close by spring-assist when airflow stops. Ideal for belt-driven centrifugal wall ventilators. Recommended for vertical mount supply (intake) applications only.

Features:

Frame

- .062 mill finish 6063T5 or T6 extruded aluminum.
- Staked corners provide rigidity and durability.
- Integrated weather stripping incorporated into frame for additional strength and weather protection.
- Prepunched 3/16" diameter mounting holes.
- Frame depth is 1-5/8".
- Flange is 1-3/8".

Blades

- 26 gauge 3105 mill finish aluminum.
- Galvanized reinforcement strip across top of blade for added strength and counter balancing and efficiency.
- Felt seal on leading edge of blades for quiet closing and better protection from the weather.
- Blades will pivot at the bottom and fall with gravity to open. Spring-assist to close.
- Galvanized steel tie-rods connect blades for uniform opening and closing.
- 304 stainless steel pivot pins, rivets, and bushings.
- Opens freely to allow full 90 degree opening and closing.

Size limitations

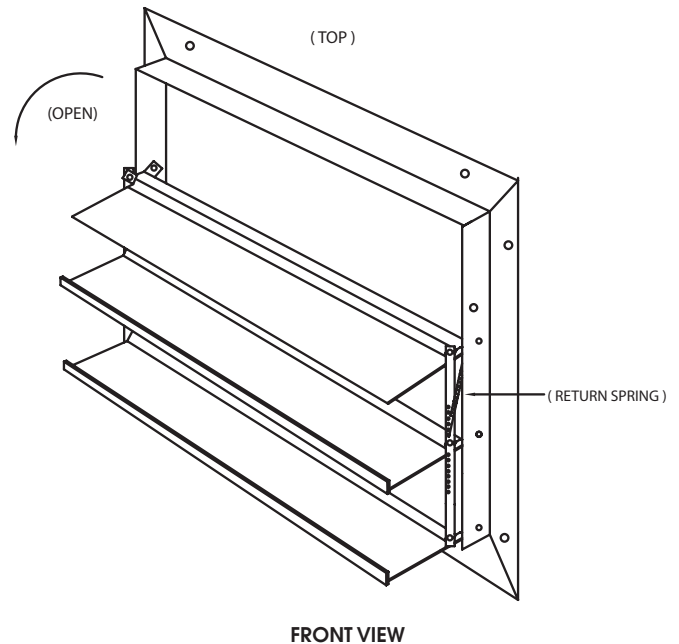
- Minimum size 8" W x 8" H
- Maximum size 50" W x 50" H

Ratings

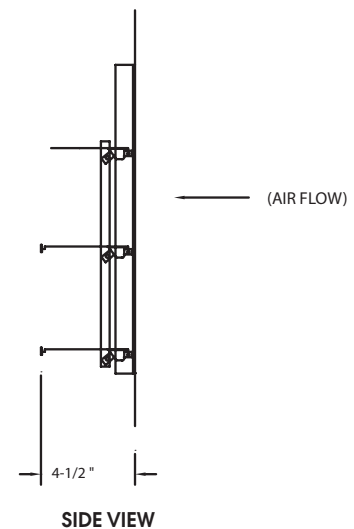
- Maximum recommended velocity is 2250 FPM of free area.
- Pressure – 1.0 in. w.g. – differential pressure.
- Temperature - -40 F to 180 F.

Options and Accessories (at additional cost)

- Motor Pack (model MTR-611)
- Frame and Blades – polar white finish.
- Custom sizes available in whole inch increments for width and height.



FRONT VIEW



SIDE VIEW

Note: Above dimensions + or - normal tolerance of .0625"

MODEL CWV

MOTOR PACKS

MTR-611 Motor pack Optional. One Motor Pack is required for each panel.

Model MTR-611 Motor Packs are equipped with motor bracket, linkage and mounting hardware, installation instructions and parts list.

Model MTR-611 Motor Packs are designed to be used with Model CWV Automatic Supply (Intake) Wall-Mount Shutters. Field installation is required to convert Model CWV to motorized operation. This motor pack features power open spring close, which provides closure in the event of electrical failure.

SPECIFICATIONS

Motor Pack Part Number	Power Supply Required	Running AMPS	Stall Torque	Lead Length	Installed Unit Dimension		
					H	W	D
MTR-611	115/230V, 60 Hz	.20/.14	41 in.lbs/47 in.lbs.	6"	8 1/2"	4 1/2"	7.375"
MTR-611 24V	24V, 60Hz	1.02	42 in.lbs	6"	8 1/2"	4 1/2"	7.375"
MTR-611 208V	208V, 60Hz	0.10	42 in.lbs	6"	8 1/2"	4 1/2"	7.375"
MTR-611 277V	277V, 60Hz	0.12	50 in.lbs.	6"	8 1/2"	4 1/2"	7.375"
MTR-611 460V	460V, 60 Hz	0.11	48 in.lbs	6"	8 1/2"	4 1/2"	7.375"
MTR-611-E	115/230V, 60 Hz	.20/.14	41 in.lbs/47 in.lbs.	6"	8 1/2"	4 1/2"	7.375"

Note: (MTR-611-E includes end switch; 50 Hz versions of above motor packs available but not UL rated).

(* Motor is single-phase, continuous duty with a 40°C, (104°F) maximum ambient temperature.

STANDARD SIZES

Part No.	Inside Frame Dimension (width X height)	Overall Frame Dimension (width X height)	Recommend Hole Opening (width X height)	Face Area (Sq. Ft.)	Free Area (Sq. Ft.)	Estimated Shipping Weight
CWV 08"	8" x 8"	10 3/4" x 10 3/4"	9" x 9"	0.444	0.293	5
CWV 10"	10" x 10"	12 3/4" x 12 3/4"	11" x 11"	0.694	0.405	5
CWV 11"	11" x 11"	13 3/4" x 13 3/4"	12" x 12"	0.840	0.592	6
CWV 12"	12" x 12"	14 3/4" x 14 3/4"	13" x 13"	1.000	0.728	6
CWV 13"	13" x 13"	15 3/4" x 15 3/4"	14" x 14"	1.174	0.877	7
CWV 14"	14" x 14"	16 3/4" x 16 3/4"	15" x 15"	1.361	0.899	7
CWV 15"	15" x 15"	17 3/4" x 17 3/4"	16" x 16"	1.563	1.182	7
CWV 17"	17" x 17"	19 3/4" x 19 3/4"	18" x 18"	2.007	1.832	7
CWV 20"	20" x 20"	22 3/4" x 22 3/4"	21" x 21"	2.778	2.637	9
CWV 25"	25" x 25"	27 3/4" x 27 3/4"	26" x 26"	4.340	3.917	11

Note: Dimensions are approximate due to normal tolerances in the manufacturing process.

Estimated Free Area calculation is based upon the following formula: $MD(A+B+(N \times C))/144$.

Free Area x FPM = CFM; actual performance may vary.

LIMITED WARRANTY

All products manufactured are warranted by Air Conditioning Products Company (ACP) to be free from original defects in workmanship for a period of one year from date of shipment, under conditions of normal use and service. ACP will replace or repair any defective parts upon return to our plant, freight prepaid. This limited warranty will, in no way, include the payment of labor charges for field replacement of defective parts, installation, repairs of adjustments, or any other work done. Back charges will not be accepted for any reason unless ACP has given prior written permission, nor will ACP be responsible for consequential damages of any character, no limited warranty expressed or implied will supersede the foregoing.

Manufactured for Air Conditioning Products Co.
30350 Ecorse Road • Romulus, MI 48174
acpshutters.com