

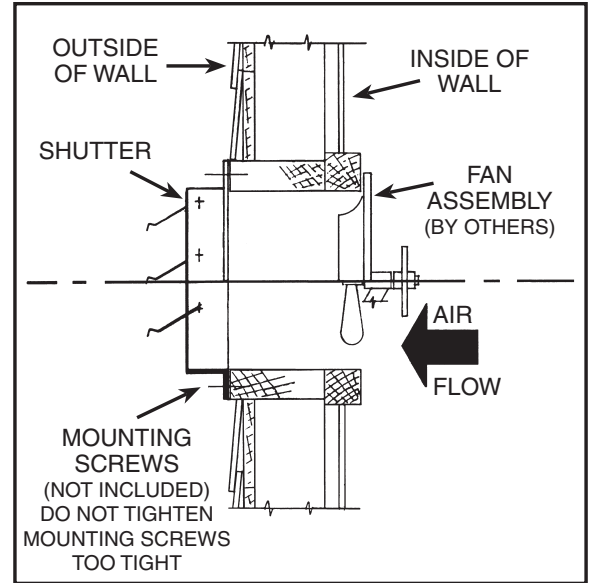
INSTALLATION INSTRUCTIONS

VERTICAL MOUNT WALL SHUTTERS

Model Numbers – 502, 556, EAS, EASR, EAS-HDGS, FGS, 304SS

Read carefully before attempting to assemble, install, operate, or maintain the product described. Protect yourself and others by observing all safety information. Failure to comply with instructions could result in personal injury and/or property damage. Retain instructions for future reference.

- Upon receiving shutter/dampers, check for both obvious and hidden damage. If damage is found, record all necessary information on the bill of lading and file a claim with the freight carrier. Check to make sure all parts of the shipments are accounted for.
- Proper handling of shutter/damper during installation is essential to ensure normal operation.
 - Lift or handle the damper by the frame, do not lift using the blades or linkage. When lifting multiple sections assembled, use sufficient support evenly distributed. Do not drag, apply excessive bending, racking or twisting.
 - Do not install shutter/damper leaning forward or backward.
 - Do not install screws or any other mounting hardware into the shutter/damper frame that will interfere with the shutter/damper blades and prevent them from opening and/or closing properly.
 - Mounting hardware, caulking and other necessary installation materials are not included.
 - Installed shutter/damper must be free of misalignment, such as squeezing, stretching, out of square, racking, twisting, etc...These conditions will prevent the damper from operating properly.
- When installing a shutter/damper:
 - We recommend the shutter/damper not be mounted closer to the fan than 1/3 the diameter of fan blade.
 - We generally recommend the hole opening to be 1/2" larger than the inside dimension (ID) of the width and height of the shutter/damper.
 - The shutter/damper frame should be mounted level and squarely on the outside wall. Care should be taken not to twist the shutter/damper frame. Never cover shutter/damper with siding or masonry work. Shutter should be mounted so it can be removed any time in case of damage.
 - Shutter/damper should operate as freely after installation as it did before.
 - Caulking compound is recommended between shutter/damper frame edges and the wall.
 - We recommend cleaning and lubrication shutter/damper at the same time that the fan is lubricated and cleaned.



LIMITED WARRANTY

All products manufactured are warranted by Air Conditioning Products Company (ACP) to be free from original defects in workmanship for a period of one year from date of shipment, under conditions of normal use and service. ACP will replace or repair any defective parts upon return to our plant, freight prepaid. This limited warranty will, in no way, include the payment of labor charges for field replacement of defective parts, installation, repairs of adjustments, or any other work done. Back charges will not be accepted for any reason unless ACP has given prior written permission, nor will ACP be responsible for consequential damages of any character, no limited warranty expressed or implied will supersede the foregoing.

Manufactured for Air Conditioning Products Co.
30350 Ecorse Road • Romulus, MI 48174
acpshutters.com