

AUTOMATIC WALL SHUTTER - DOUBLE PANEL MODEL EAS-HDGS-DP

Rear flanged vertical mounted gravity exhaust shutter uses extruded aluminum blades for high velocity air flow requirements. Shutter is designed to allow horizontal airflow in one direction and to prevent reverse airflow and provide protection from environmental elements when airflow stops. Blades open with airflow and close by gravity when airflow stops. Ideal for direct- or belt-driven exhaust fans. Recommended for vertical mount exhaust applications only. Application uses includes commercial and industrial. (Do not use with vane axial or tube axial fans).

Features:

Frame

- .080 mill finish 6063T5/6 extruded aluminum.
- Staked corners provide rigidity and durability.
- Integrated weather stripping incorporated into frame for additional strength and weather protection.
- Prepunched oblong mounting holes.

Blades

- .080 mill finish 6063T5/6 extruded aluminum.
- Stainless steel tie-rod connects blades for uniform opening and closing.
- 304 stainless steel pivot screws, rivets and bushings.
- Opens freely to allow full 90 degree opening and closing.

Size limitations - Double Panel Only

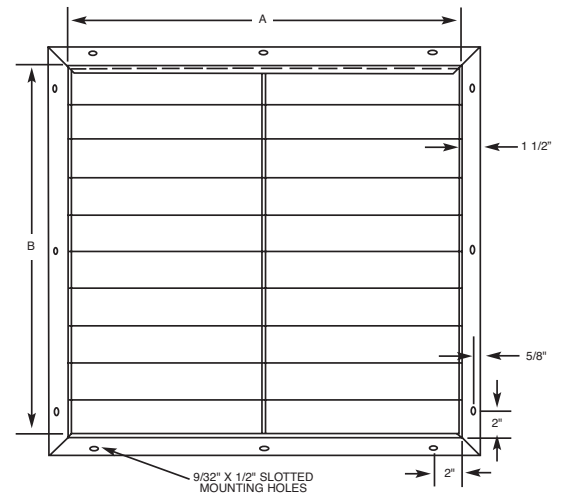
- Minimum panel size 42" W x 42" H (see "A" & "B" dimension)
- Maximum panel size 48" W x 48" H (see "A" & "B" dimension)

Ratings

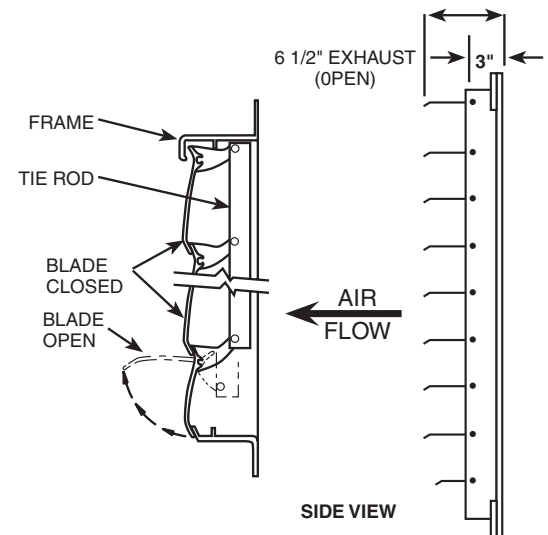
- Maximum recommended velocity is 3,250 FPM of free area
- Temperature - -40 F to 180 F

Options and Accessories (at additional cost)

- Manual pull chain.
- Custom sizes available in whole inch increments for width and height.



FRONT VIEW



SIDE VIEW

Note: Above dimensions + or - normal tolerance of .0625"

STANDARD SIZES

Part No.	Inside Frame Dimension (width X height)	Overall Frame Dimension (width X height)	Recommend Hole Opening (width X height)	Face Area (Sq. Ft.)	Est. Free Area (Sq. Ft.)	Est. Shipping Weight
EAS-HDGS 42" DP	42" x 42"	45" x 45"	42 1/2" x 42 1/2"	12.25	10.25	31.00
EAS-HDGS 48" DP	48" x 48"	51" x 51"	48 1/2" x 48 1/2"	16.00	12.92	40.00

Note: Dimension are approximate due to normal tolerances in the manufacturing process.

Estimated Free Area calculation is based upon the following formula: $MD(A+B+ (N \times C))/144$.

Free Area x FPM = CFM; actual performance may vary.

LIMITED WARRANTY

All products manufactured are warranted by Air Conditioning Products Company (ACP) to be free from original defects in workmanship for a period of one year from date of shipment, under conditions of normal use and service. ACP will replace or repair any defective parts upon return to our plant, freight prepaid. This limited warranty will, in no way, include the payment of labor charges for field replacement of defective parts, installation, repairs of adjustments, or any other work done. Back charges will not be accepted for any reason unless ACP has given prior written permission, nor will ACP be responsible for consequential damages of any character, no limited warranty expressed or implied will supersede the foregoing.

Manufactured for Air Conditioning Products Co.
30350 Ecorse Road • Romulus, MI 48174
acpshutters.com