

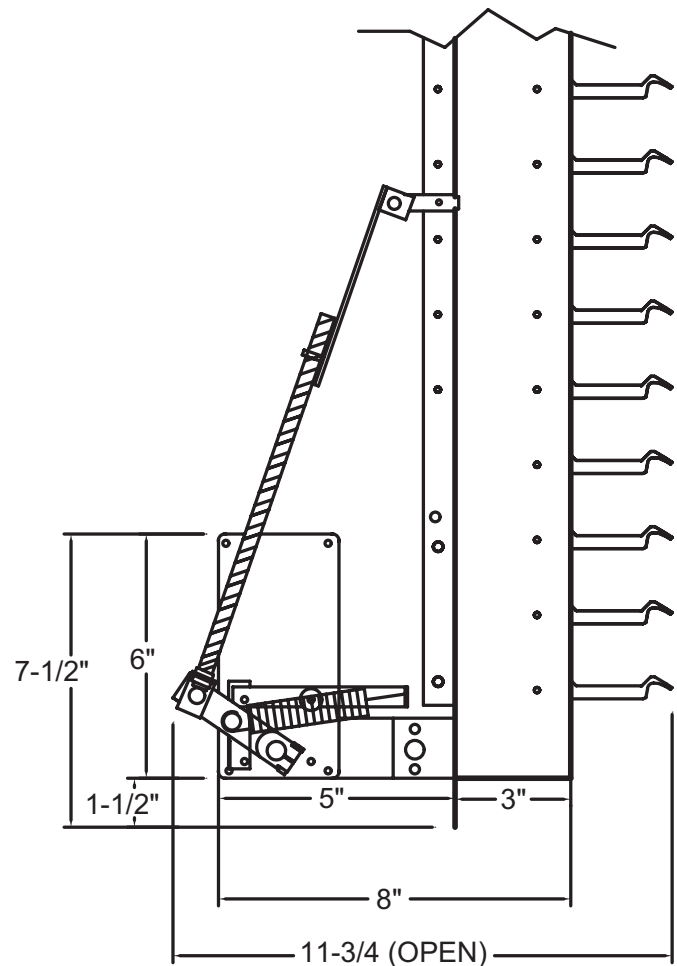
**WALL SHUTTER MOTOR**  
For Double Panel Shutter 36 Thru 53 Inch

**READ INSTRUCTIONS BELOW CAREFULLY BEFORE ATTEMPTING TO INSTALL, OPERATE OR SERVICE SHUTTER MOTOR. RETAIN INSTRUCTIONS FOR FUTURE REFERENCE.**

The double panel exhaust shutter motor pack, model MTR-556 DP is designed to be used with shutter models 556-DP, EAS-DP, EASR-DP and FGS-DP. Field installation is required to convert gravity exhaust shutter to motorized operation. This motor pack features power open spring close, which provides closure in the event of electrical failure. This motor pack is equipped with motor, motor bracket, linkage and mounting hardware.

**Installation instructions:**

1. Fasten the motor bracket to the center mullion bar. Be sure that the motor is at the bottom of the frame as far as possible. Tighten the motor bracket using motor bracket screws provided. (For Model FGS-DP refer to separate installation instruction sheet.)
2. Loosen the slide adjustment nuts on the yoke and spread the slide adjustment bars out equally to reach the tie rods so that the threaded rod is in the center of the mullion bar. (Refer to Figure 2 for parts breakdown)
3. Fasten the yoke clips to the outside of the tie rods and tighten the yoke clips and the slide adjustment nuts to the yoke on both sides.
4. With the motor arm up against the rubber stop and the shutter closed tight, adjust the nuts on the threaded rod to yoke bracket and tighten.
5. Determine power supply voltage and wire motor per appropriate wiring diagram included on instruction sheet.



**Figure 1** – Maximum Operating Dimensions

**SPECIFICATIONS**

Motor Pack Part Number	Power Supply Required	Running AMPS	Stall Torque	Lead Length
MTR-556 DP	120/240V, 60 Hz	0.11/0.07	77 in.lbs	6"
MTR-556 DP 24V	24V, 60HZ	1.02	42 in.lbs	6"
MTR-556 DP 208V	208V, 60Hz	0.10	42 in.lbs	6"
MTR-556 DP 277V	277V, 60Hz	0.12	50 in.lbs.	6"
MTR-556 DP 460V	460V, 60 Hz	0.11	48 in.lbs	6"

Note: 50 Hz versions of above motor packs available but not UL rated).

(\*) Motor is single-phase, continuous duty with a 40°C, (104°F) maximum ambient temperature.

# MOTOR-PACK for Double Panel Shutter 36 thru 53 Inch

## GENERAL SAFETY INFORMATION

1. Follow all local electrical and safety codes, as well as the National Electrical Code (NEC) and the Occupational Safety and Health Act (OSHA).
2. Motor must be securely and adequately grounded. This can be accomplished by wiring with a grounded, metal-clad raceway system, by using a separate ground wire connected to the green wire in the motor junction box.
3. Always disconnect power source before working on or near a motor or its connected load. If the power disconnect point is out-of-sight, lock it in the open position and tag to prevent unexpected application of power.
4. Protect the power cable from coming in contact with sharp objects.
5. Do not kink power cable and never allow the cable to come in contact with oil, grease, hot surfaces, or chemicals.
6. Make certain that the power source conforms to the requirements of your equipment.

## REPLACEMENT PARTS LIST

Ref. No.	Description	Part No.	Qty.
1	60Hz Motor 120/240V (TB2001)	UL14V-3050	1 ea.
2	Motor Crankarm	72SK-004D	1 ea.
3	Threaded Rod 5/16-18	3237	1 ea.
4	Motor Bracket	50002	1 ea.
5	Motor Arm Stop	50010	1 ea.
6	Return Spring	FPR556-104	1 ea.
7	Motor Arm Rubber Stop	26067	1 ea.
8	Spring Bracket	50011	1 ea.
9	Yoke (only)	3235	1 ea.
10	Slide Adjustment Bars (2)	3238	1 ea.

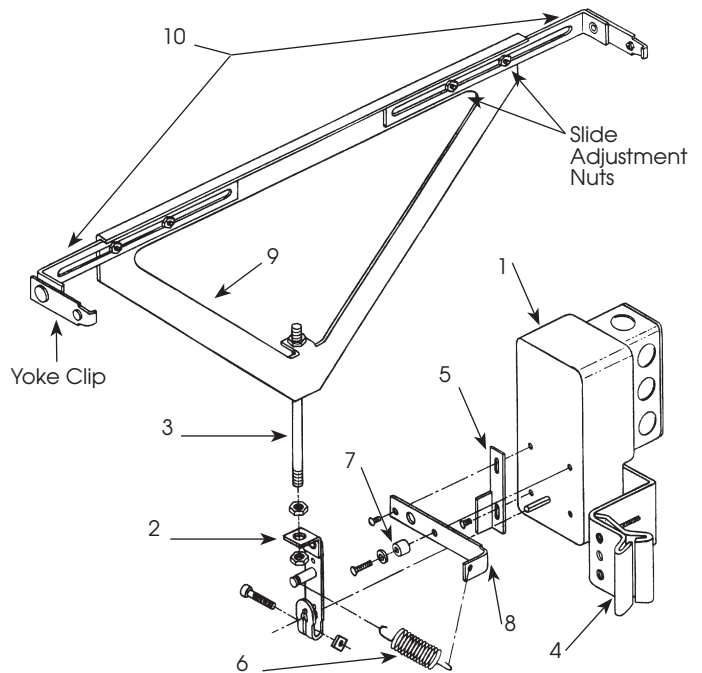


Figure 2 - Replacement Parts Diagram

## TB2001 MOTOR WIRING DIAGRAM

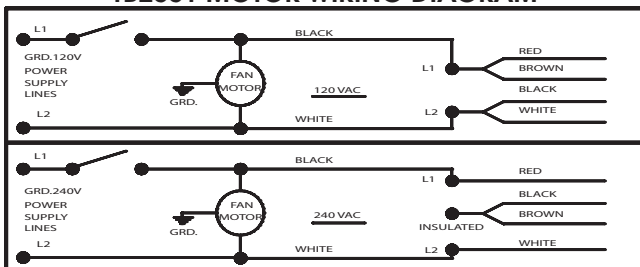


Figure 3 - Wiring Diagram - 120V and 240V, 60 Hz

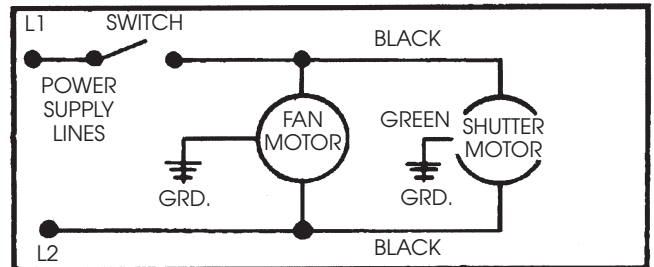


Figure 4 - Wiring Diagram - 24V; 480V, 60 Hz; 277V, 60 Hz; 208V, 60 Hz

## LIMITED WARRANTY

All products manufactured are warranted by Air Conditioning Products Company (ACP) to be free from original defects in workmanship for a period of one year from date of shipment, under conditions of normal use and service. ACP will replace or repair any defective parts upon return to our plant, freight prepaid. This limited warranty will, in no way, include the payment of labor charges for field replacement of defective parts, installation, repairs of adjustments, or any other work done. Back charges will not be accepted for any reason unless ACP has given prior written permission, nor will ACP be responsible for consequential damages of any character, no limited warranty expressed or implied will supersede the foregoing.

Manufactured by Air Conditioning Products Co.  
30350 Ecorse Road • Romulus, MI 48174  
acpshutters.com