

READ INSTRUCTIONS BELOW CAREFULLY BEFORE ATTEMPTING TO INSTALL, OPERATE OR SERVICE SHUTTER MOTOR. RETAIN INSTRUCTIONS FOR FUTURE REFERENCE.

We recommend shutter not be mounted closer to the fan than 1/3 the diameter of fan blade. Do not force shutter into opening! Do not open shutter by lifting individual blades! Do not install shutter leaning forward or backward!

General Safety Information

1. Follow all local electrical and safety codes, as well as the National Electrical Code (NEC) and the Occupational Safety and Health Act (OSHA) in the United States.
2. Motor must be securely and adequately grounded. This can be accomplished by wiring with a grounded, metal-clad raceway system, by using a separate ground wire connected to the bare metal of the motor frame, or other suitable means.
3. Always disconnect power source before working on or near a motor or its connected load. If the power disconnect point is out-of-sight, lock it in the open position and tag to prevent unexpected application of power.
4. Protect the power cable from coming in contact with sharp objects.
5. Do not kink power cable and never allow the cable to come in contact with oil, grease, hot surfaces, or chemicals.
6. Make certain that the power source conforms to the requirements of your equipment.

Installation of Fiberglass Motorized Wall Shutters

1. Shutter frame should be mounted level and squarely on outside wall. Care should be taken not to twist the shutter frame. Never cover shutter with siding or masonry work. Shutter should be mounted so it can be removed any time in case of damage.
2. Use tie rod only to test opening and closing of shutter.
3. Shutter should operate as freely after installation as it did before.
4. Caulking compound is recommended between shutter frame edges and the wall.
5. Clean and lubricate shutter at the same time that the fan is lubricated and cleaned.

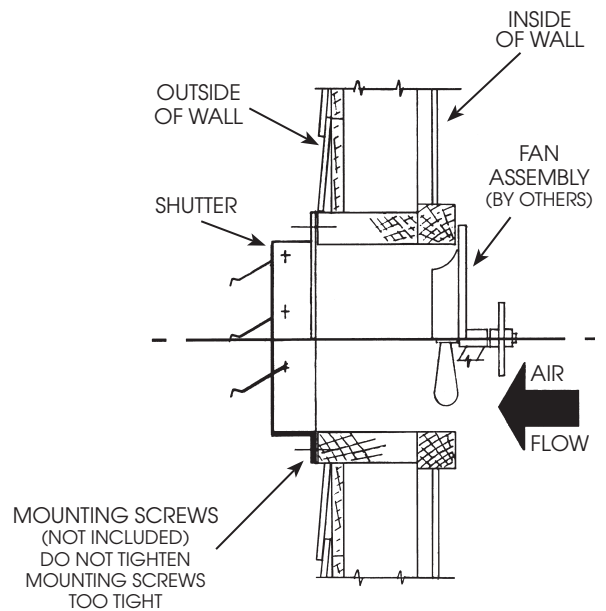


Figure 1

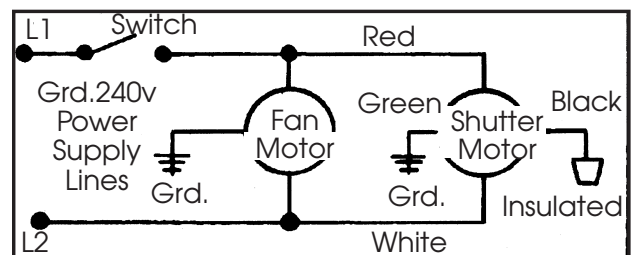
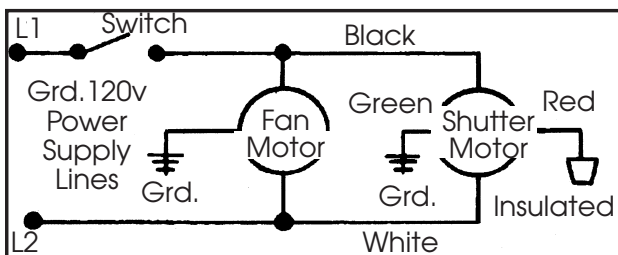


Figure 2 - Wiring Diagrams

Use These Instructions for Modification of Motor Model MTR-885 DP

1. Remove spring and spring arm.
2. Install spring arm in position shown in Figure 4.
3. Reinstall original spring in position shown in Figure 4.
4. Reposition adjustable rod clip as shown in Figure 7 and secure in place.

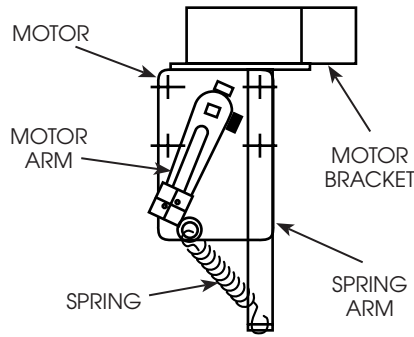


Figure 3 BEFORE

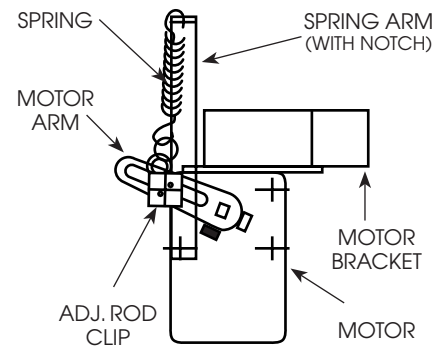


Figure 4 AFTER

Installation of Motor

1. Remove yoke assembly from box and set-up adjustable rod to 4 1/4" dimension as shown in Figure 6.
2. Attach yoke assembly to tie rods as shown in Figure 5, using screws from parts bag.
3. Attach adjustable rod to adjustable rod clip as shown in Figure 7.
4. Install assembled motor and bracket to shutter as shown in Figure 5, making sure bracket is aligned on center support.
5. Determine power supply voltage and wire shutter motor per wiring instructions in Figure 2.

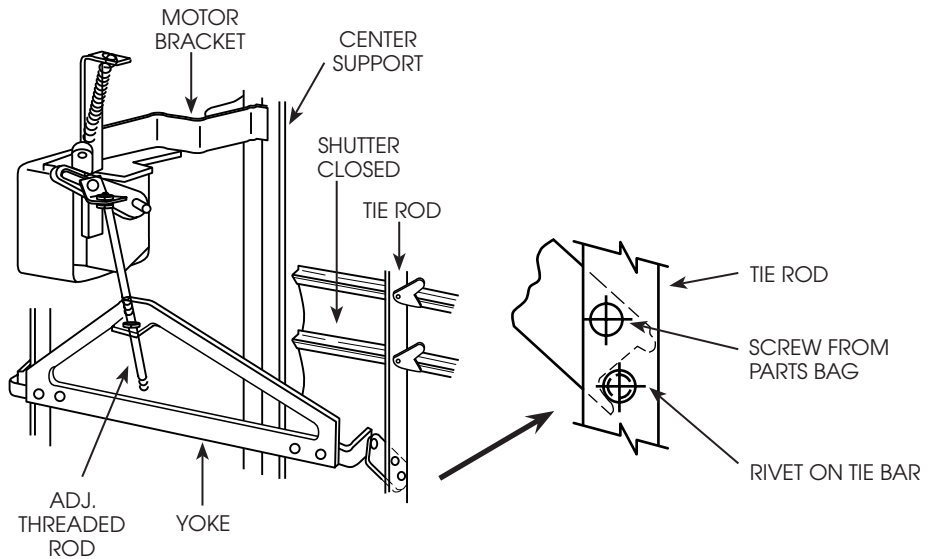


Figure 5

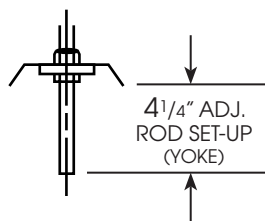


Figure 6

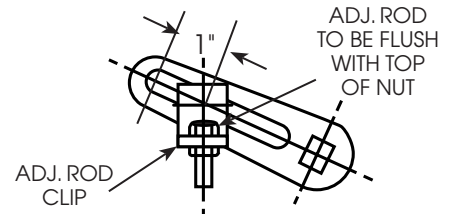


Figure 7

SPECIFICATIONS

Motor Pack Part Number	Power Supply Required	Running AMPS	Stall Torque	Lead Length
MTR-885 DP	115/230V, 60 Hz	.26/.15	70/79 in.lbs	6"

Note: 50 Hz versions of above motor packs available but not UL rated).
 (*) Motor is single-phase, continuous duty with a 40°C, (104°F) maximum ambient temperature.

LIMITED WARRANTY

All products manufactured are warranted by Air Conditioning Products Company (ACP) to be free from original defects in workmanship for a period of one year from date of shipment, under conditions of normal use and service. ACP will replace or repair any defective parts upon return to our plant, freight prepaid. This limited warranty will, in no way, include the payment of labor charges for field replacement of defective parts, installation, repairs of adjustments, or any other work done. Back charges will not be accepted for any reason unless ACP has given prior written permission, nor will ACP be responsible for consequential damages of any character, no limited warranty expressed or implied will supersede the foregoing.

Manufactured for Air Conditioning Products Co.
 30350 Ecorse Road • Romulus, MI 48174
 acpshutters.com