

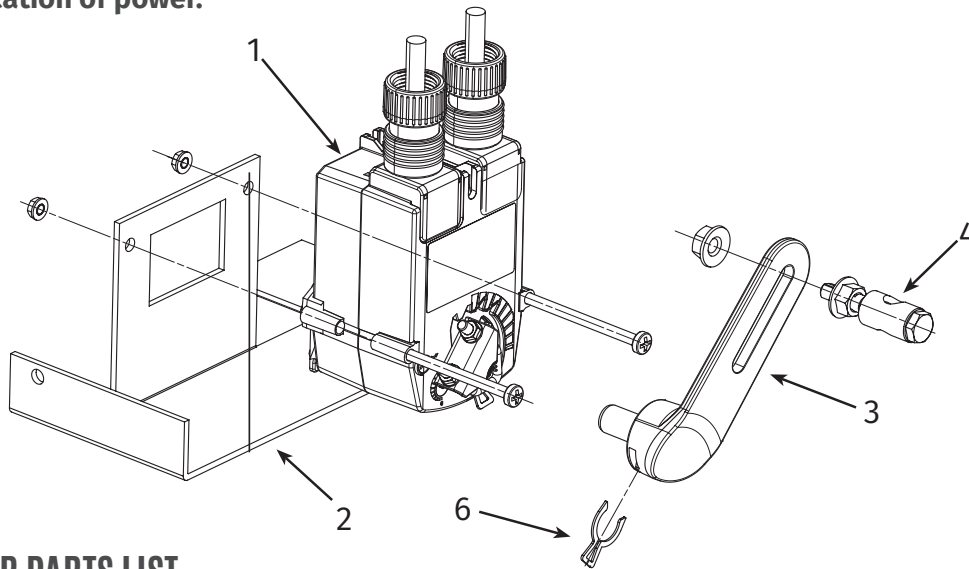
# MOTORIZED DAMPERS

## GENERAL SAFETY INFORMATION

1. Follow all local electrical and safety codes, as well as the National Electrical Code (NEC) and the Occupational Safety and Health
2. Motor must be securely and adequately grounded. This can be accomplished by wiring with a grounded, metal-clad raceway system, by using a separate ground wire connected to the bare metal of the motor frame, or other suitable means.
3. Protect the power cable from coming in contact with sharp objects.
4. Do not kink power cable and never allow the cable to come in contact with oil, grease, hot surfaces, or chemicals.
5. Make certain that the power source conforms to the requirements of your equipment.

**WARNING:** Always disconnect power source before working on or near a motor or its connected load. If the power disconnect point is out-of-sight, lock it in the open position and tag to prevent unexpected application of power.

**WARNING:** To avoid risk of electrical shock, more than one disconnect switch may be required to de-energize the device for servicing.



### MOTOR PARTS LIST

REF. NO.	DESCRIPTION
1	50/60Hz Motor, 100-240v or 24-240V
2	Motor bracket
3	*Motor crankarm
4	*Swivel ball joints
5	*Connecting rod (Not Shown)
6	*Retaining Clip

For detailed information on our Limited Warranty Policy, please visit [www.acpshutters.com](http://www.acpshutters.com), or call (734) 326-0050.