

INSTALLATION INSTRUCTIONS

DOOR LOUVERS

MODEL ADL/SDL

Description

Heavy Duty Extruded Aluminum or Steel construction designed to allow the transfer of air through a door while also maintaining privacy. Ideal for use with 1-3/8" to 2-1/4" thick wood or metal doors.

Installation

1. Measure inside dimensions of unit to ensure proper fit.
2. Cut hole in door in accordance with door manufacturer's recommendation.
3. Place the door louver (Figure 1) into the opening.
4. Insert and start all screws before tightening.
5. Tighten all screws using a crisscross pattern. Use caution to avoid stripping or over tightening screws.
6. Place the Slip Fit Collar (Figure 2) on the opposite side of door. Push into place and secure it using the same procedure as above.

Aluminum Model No.	Steel Model No.	Hole Opening		Actual OD	
		W	H	W	H
ADL-8x8	SDL-8x8	8 1/2"	8 1/2"	10 1/4"	10 1/8"
ADL-10x4	SDL-10x4	10 1/2	4 1/2	12 1/4	6 1/8
ADL-12x8	SDL-12x8	12 1/2	8 1/2	14 1/4	10 1/8
ADL-12x12	SDL-12x12	12 1/2	12 1/2	14 1/4	14 1/8
ADL-14x8	SDL-14x8	14 1/2	8 1/2	16 1/4	10 1/8
ADL-14x12	SDL-14x12	14 1/2	12 1/2	16 1/4	14 1/8
ADL-16x8	SDL-16x8	16 1/2	8 1/2	18 1/4	10 1/8
ADL-16x16	SDL-16x16	16 1/2	16 1/2	18 1/4	18 1/8
ADL-18x12	SDL-18x12	18 1/2	12 1/2	20 1/4	14 1/8
ADL-20x10	SDL-20x10	20 1/2	10 1/2	22 1/4	12 1/8
ADL-20x12	SDL-20x12	20 1/2	12 1/2	22 1/4	14 1/8
ADL-20x14	SDL-20x14	20 1/2	14 1/2	22 1/4	16 1/8
ADL-20x16	SDL-20x16	20 1/2	16 1/2	22 1/4	18 1/8
ADL-20x20	SDL-20x20	20 1/2	20 1/2	22 1/4	22 1/8
ADL-24x12	SDL-24x12	24 1/2	12 1/2	26 1/4	14 1/8
ADL-24x16	SDL-24x16	24 1/2	16 1/2	26 1/4	18 1/8
ADL-24x18	SDL-24x18	24 1/2	18 1/2	26 1/4	20 1/8
ADL-24x24	SDL-24x24	24 1/2	24 1/2	26 1/4	26 1/8

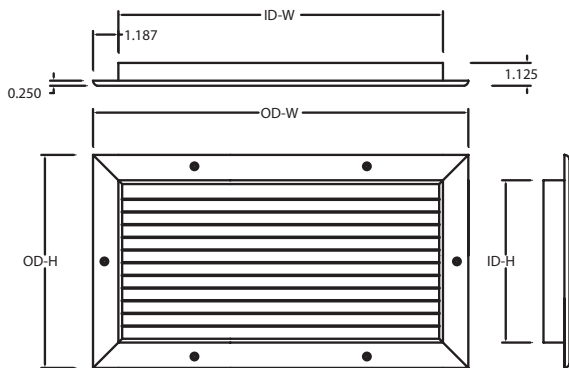
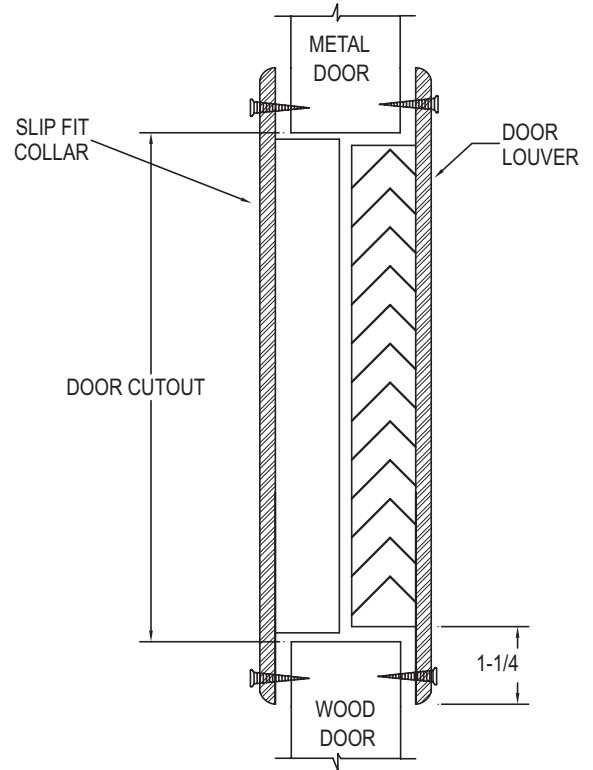


Figure 1 - Door Louver

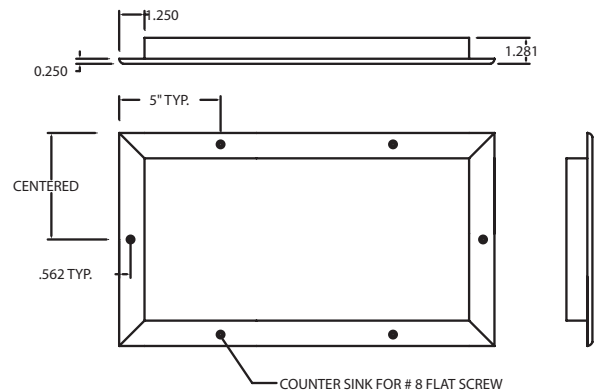


Figure 2 - Slip Fit Collar

LIMITED WARRANTY

All products manufactured are warranted by Air Conditioning Products Company (ACP) to be free from original defects in workmanship for a period of one year from date of shipment, under conditions of normal use and service. ACP will replace or repair any defective parts upon return to our plant, freight prepaid. This limited warranty will, in no way, include the payment of labor charges for field replacement of defective parts, installation, repairs of adjustments, or any other work done. Back charges will not be accepted for any reason unless ACP has given prior written permission, nor will ACP be responsible for consequential damages of any character, no limited warranty expressed or implied will supersede the foregoing.

Manufactured for Air Conditioning Products Co.
30350 Ecorse Road • Romulus, MI 48174
acpshutters.com